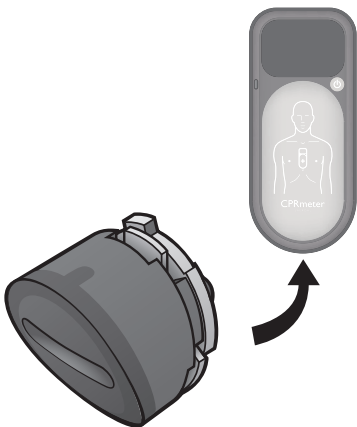


CPRmeter 2

Battery Hatch

Replacement Guide

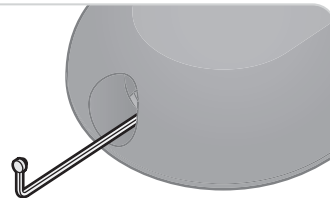




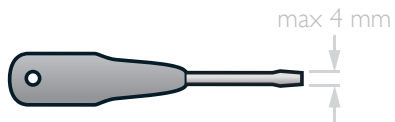
 www.laerdal.com/cprmeter2-support



Battery Hatch Replacement
Page 6 – 9



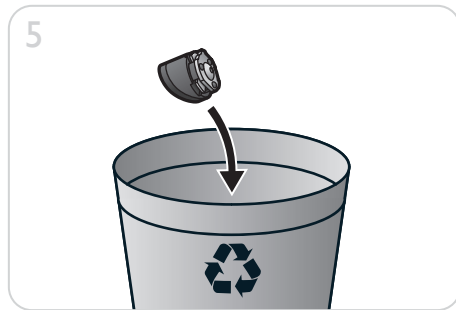
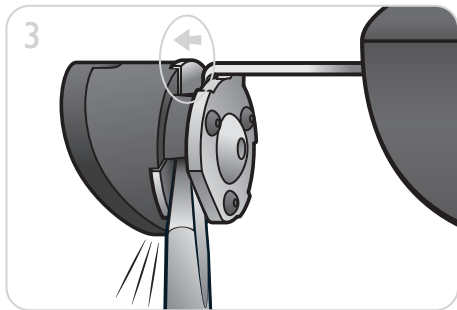
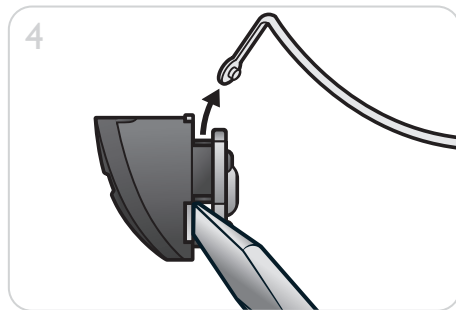
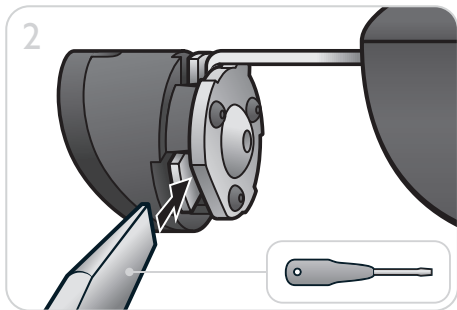
Lanyard Replacement (Optional)
Page 10 – 11



1



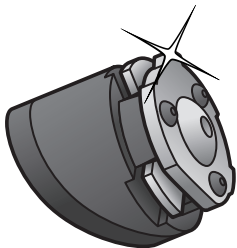
Battery Hatch Replacement



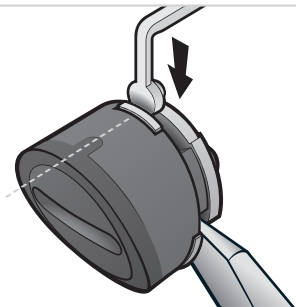
Battery Hatch Replacement

Battery Hatch Replacement

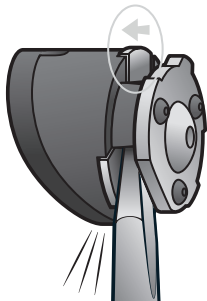
6



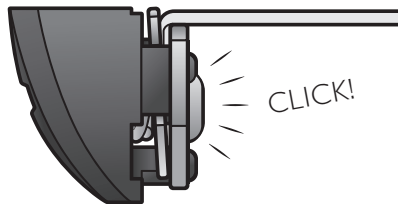
8



7



9

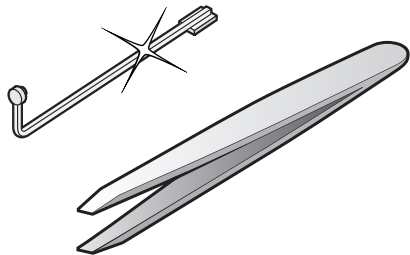


8

9

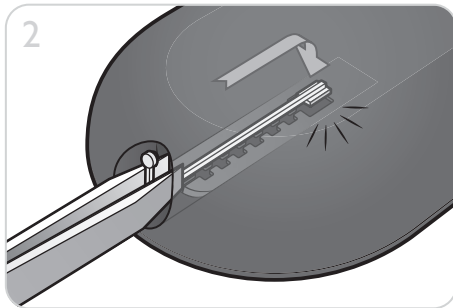
Lanyard Replacement (Optional)

i

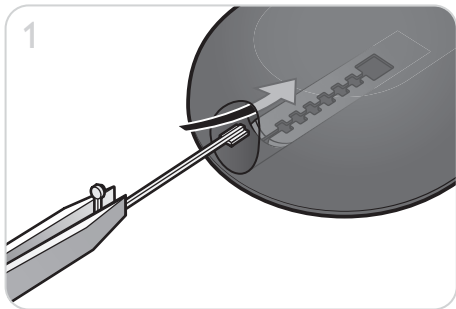


Lanyard Replacement (Optional)

2

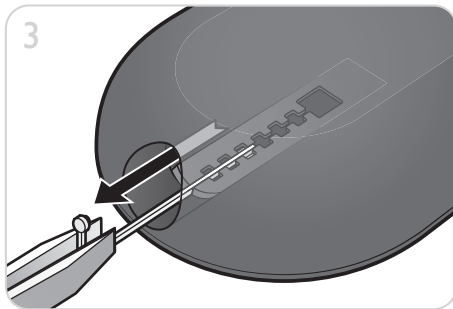


1



10

3



11

© 2016 Laerdal Medical AS. All rights reserved.

Manufacturer: Laerdal Medical AS
P.O. Box 377,
Tanke Svilandsgate 30, 4002 Stavanger, Norway
T: (+47) 51 51 17 00

Printed in Norway

20-10430 Rev A

www.laerdal.com



Laerdal
helping save lives