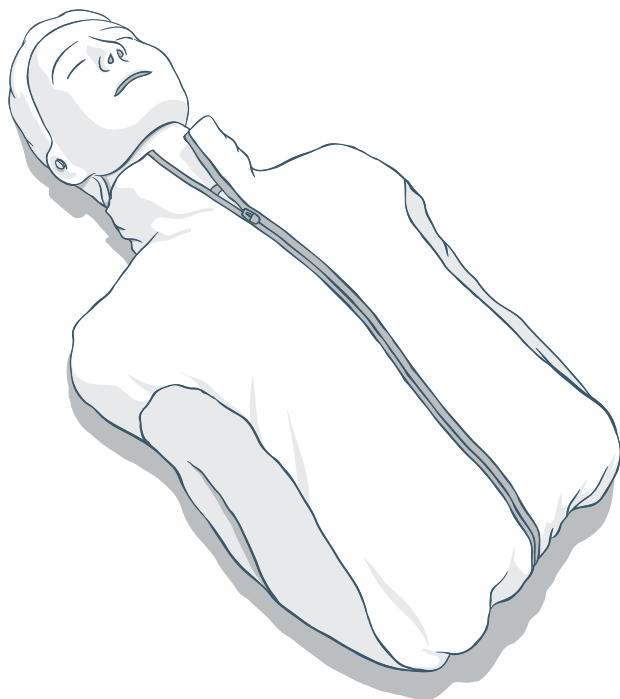
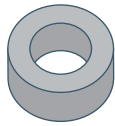


Resusci Anne QCPR

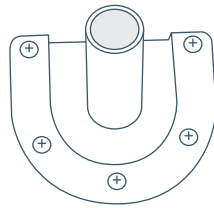
Maintenance Kit
Guide



A



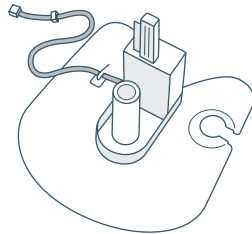
B



C

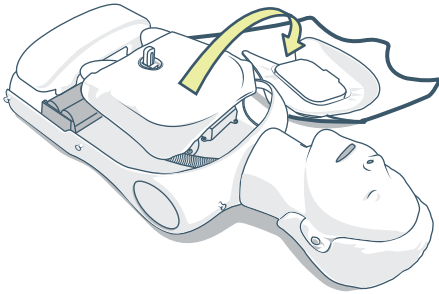


D

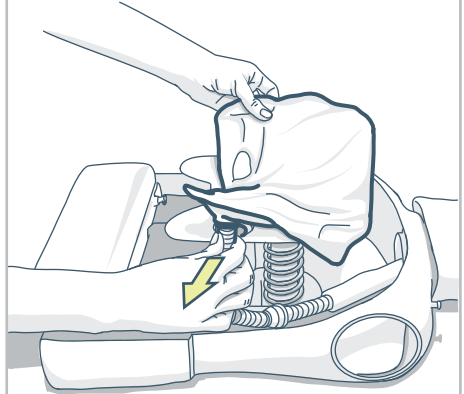


1

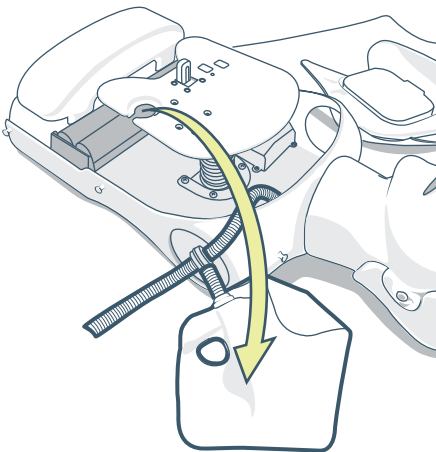
1



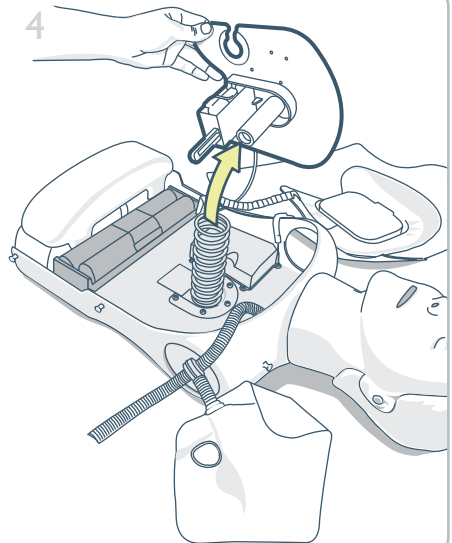
2



3

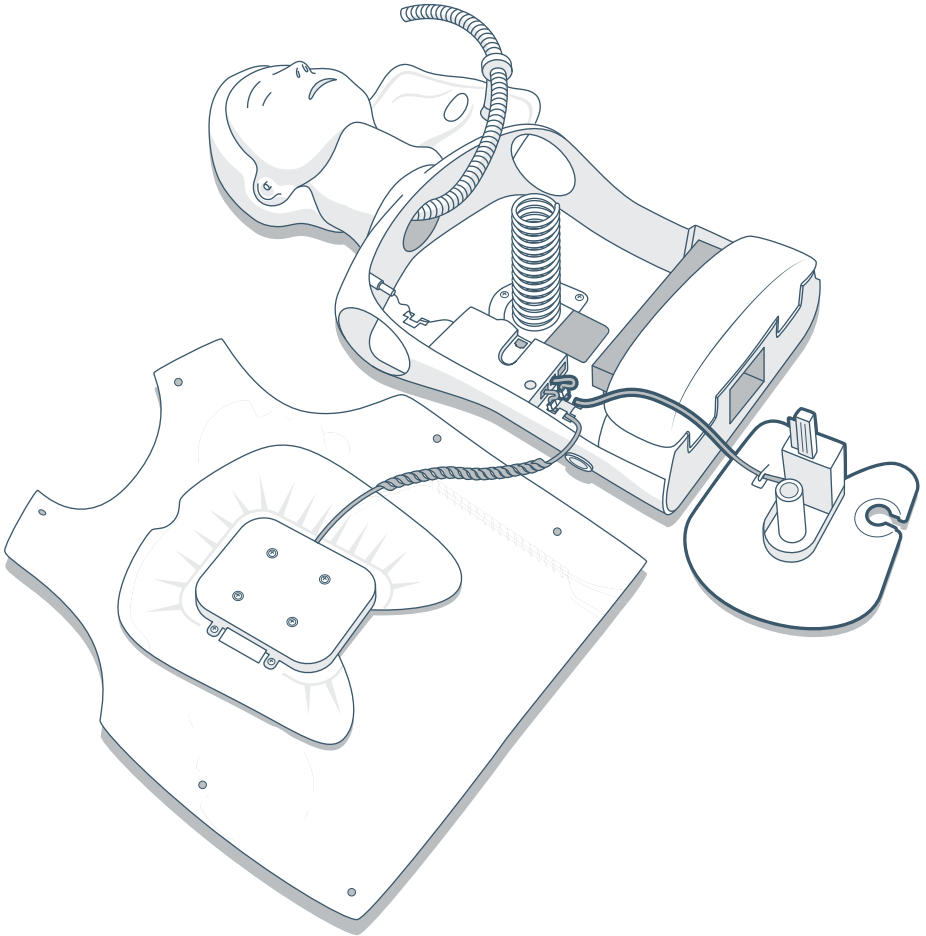


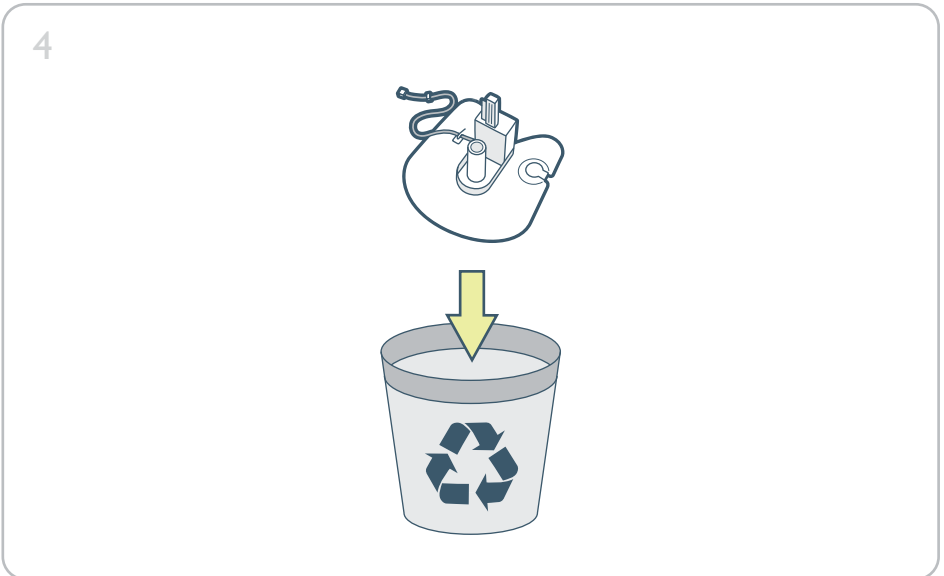
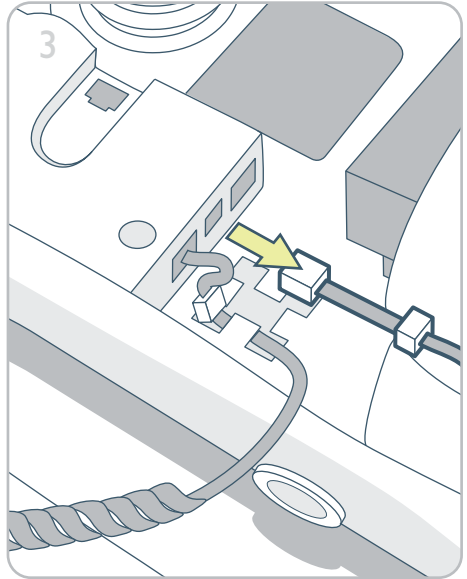
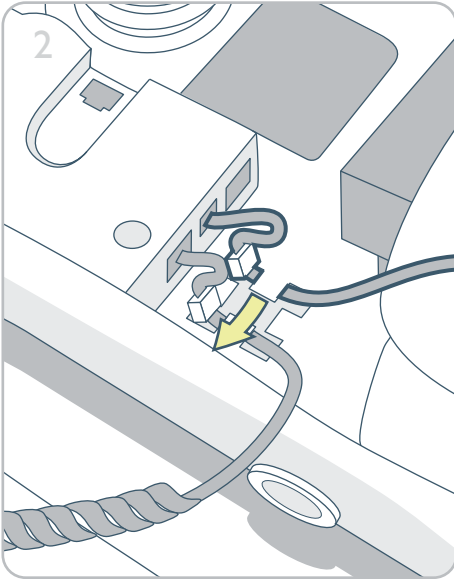
4



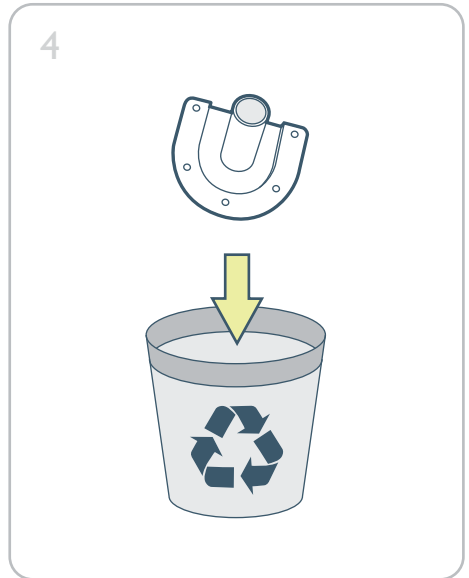
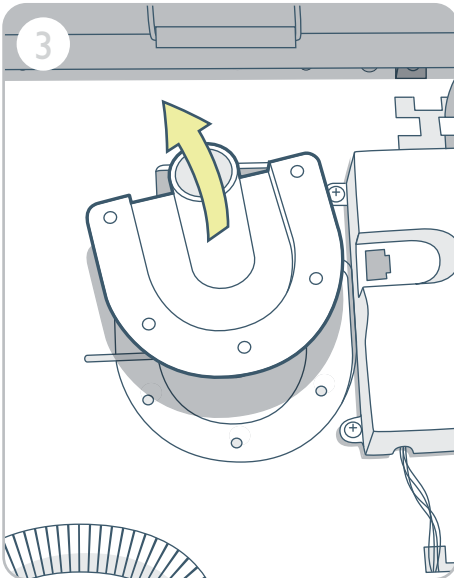
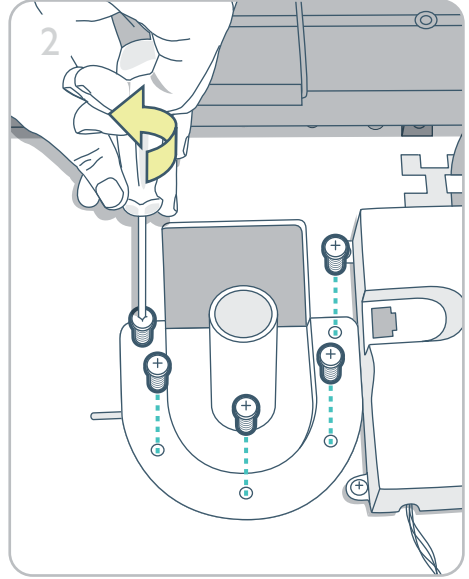
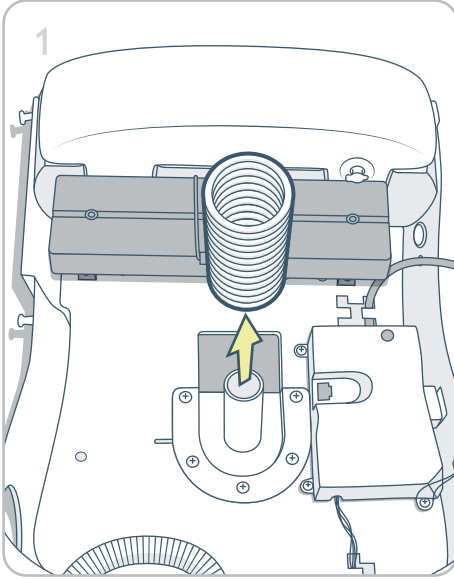
2

1

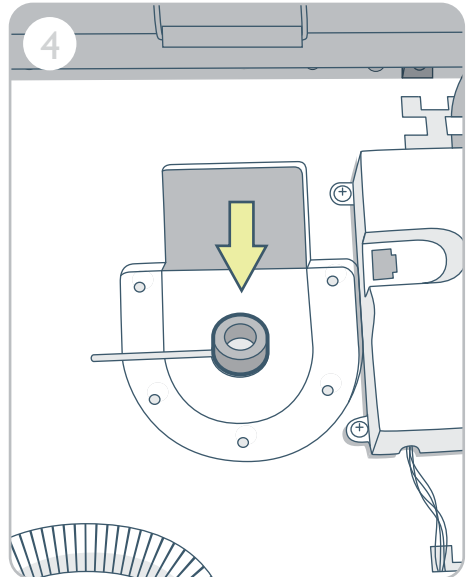
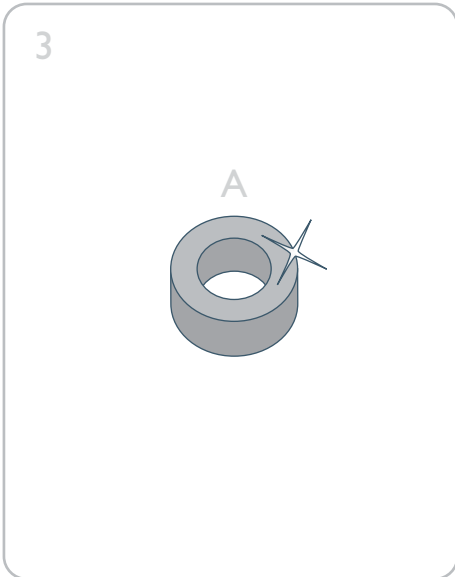
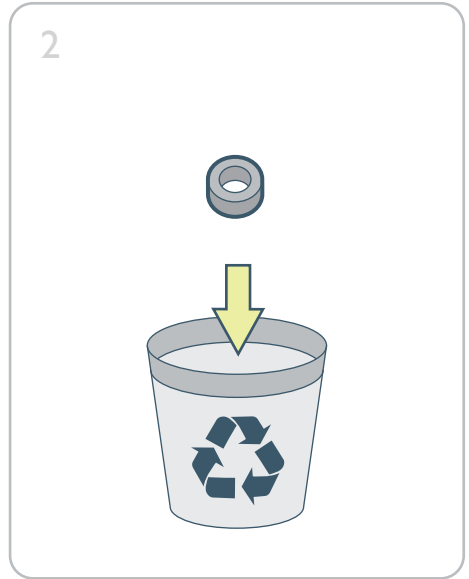
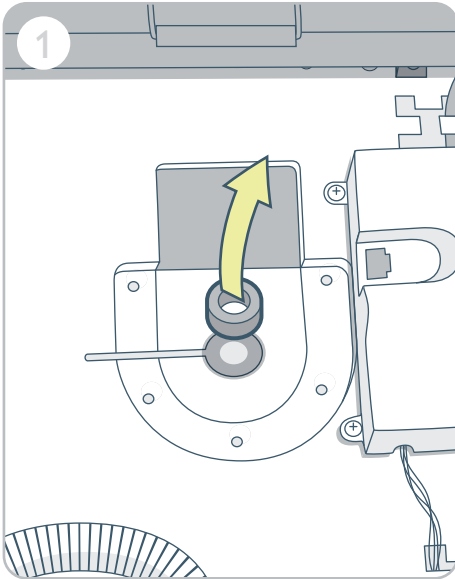




3

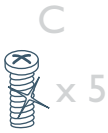
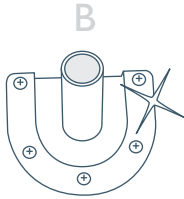


4

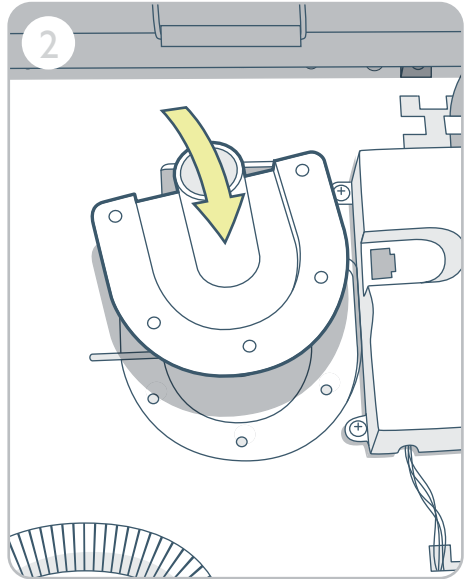


5

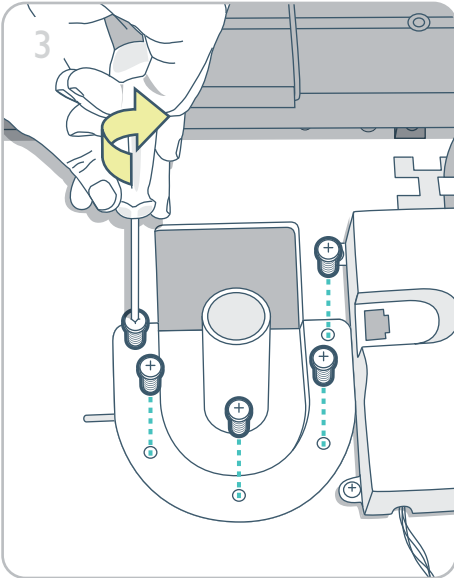
1



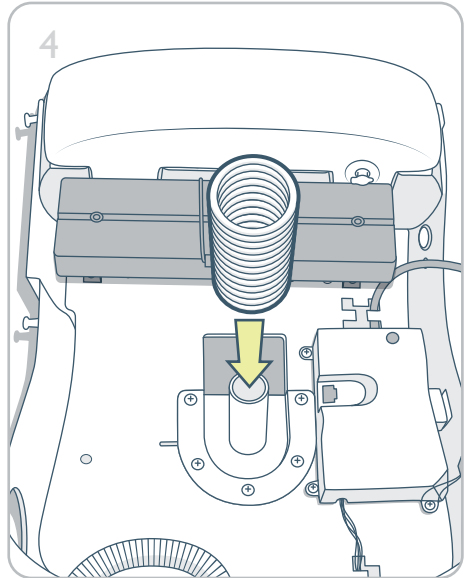
2



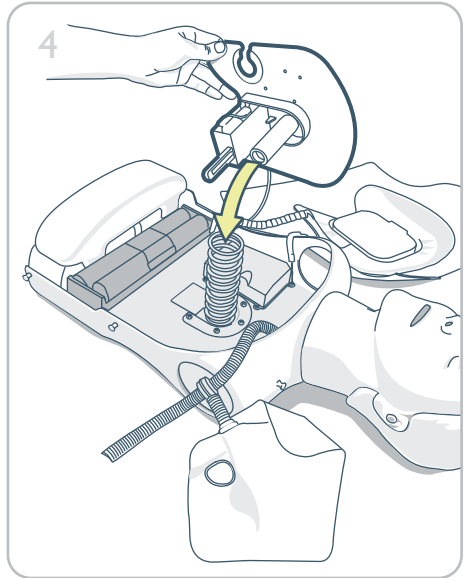
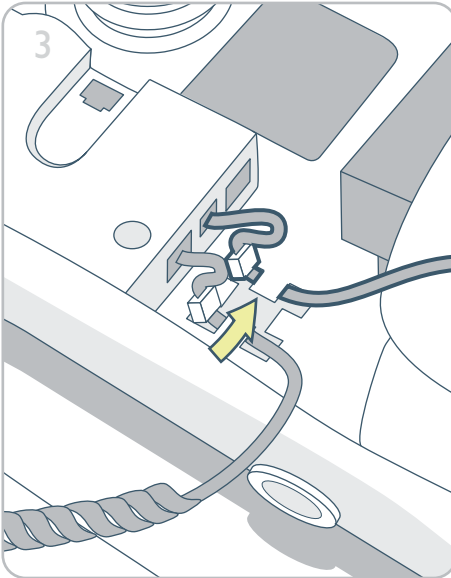
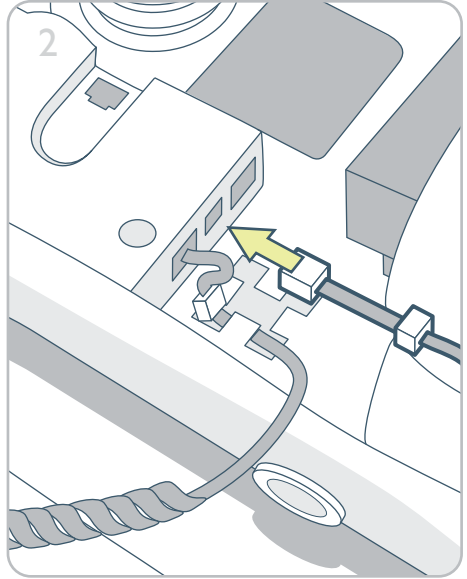
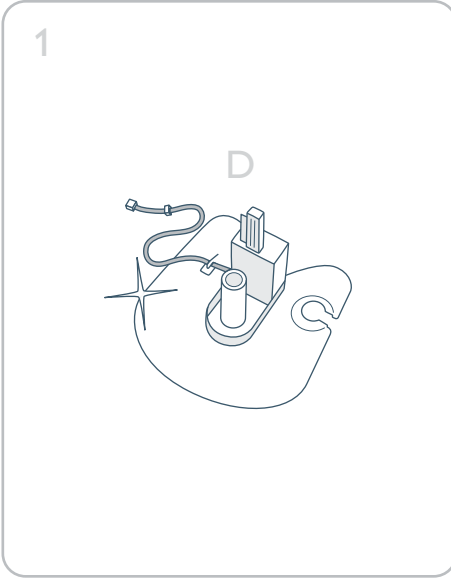
3



4

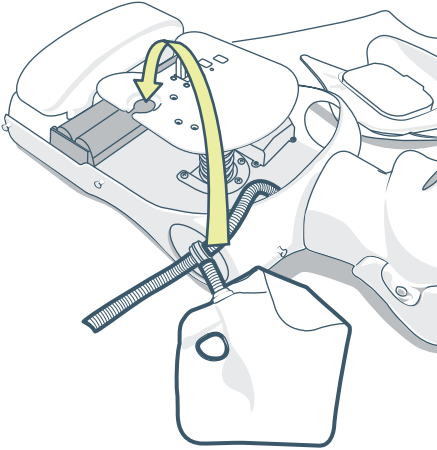


6

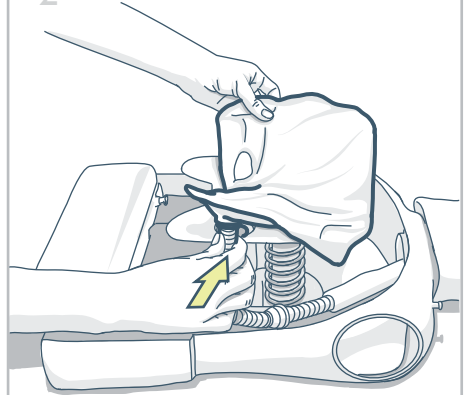


7

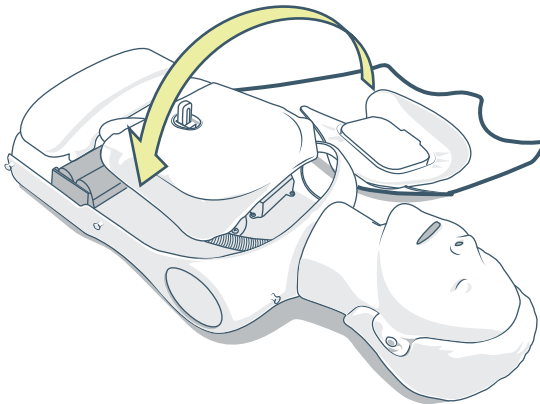
1



2



3



© 2014 Laerdal Medical AS. All rights reserved.
Printed in Norway.

20-07308 Rev A

www.laerdal.com



Laerdal
helping save lives